

Slim Duct 2.2kw

ARVSD-H022/4R1A

AUX
AIR CONDITIONER



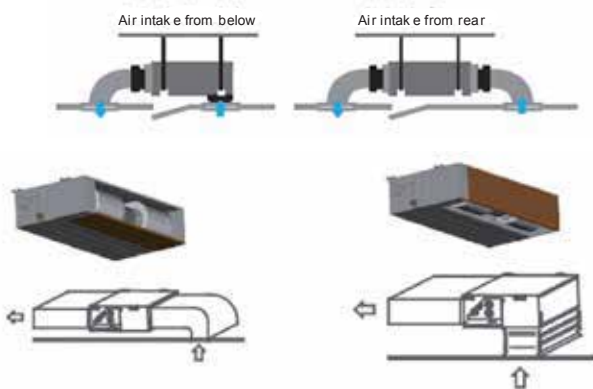
R410A
refrigerant

SPECIFICATIONS

Model	Indoor	ARVSD-H022/4R1A	
Capacity	Cooling	kW	2.2
	Heating	kW	2.5
Electric Data	Power Supply	V~,Hz,Ph	220~240,50,1
	Rated Power	W	59
Performance	Air Flow Volume(Hi/Mid/Low)	m ³ /h	480/390/320
	Noise Level(Hi/Mid/Low)	dB(A)	30/26/23
	External Static Pressure(ESP)	Pa	10/30
Dimension (WxDxH)	Net	mm	840×460×185
	Packing	mm	1030×545×250
Weight	Net/Gross	kg	15.5/19
	Liquid Side	mm(inch)	6.35(1/4)
Pipe Diameter	Gas Side	mm(inch)	9.52(3/8)
	Drainage	mm(inch)	DN20(R3/4)

Flexible Air Intake Options

Air intake from rear as standard, from bottom is optional. The size of the plate from bottom is the same as the flange from back, which makes it convenient to change installation style due to different decoration requirements.



Ultra Slim Design

The thickness is only 185mm, save installation space.



ARV Indoor Units

AC FAN MOTOR

FEATURES

■ optional ■ standard



Remote Control



Built-in Drain Pump



Auto Restart Function



Fresh Air Intake



Low Ambient Cooling



Fire-proof Electric Box



Hydrophilic Aluminum Fin



Washable Filter



Fast Cooling/Heating



Digital Tube Display



Wired Control



Central Control



Full Process By DC Drive



0.5W Standby

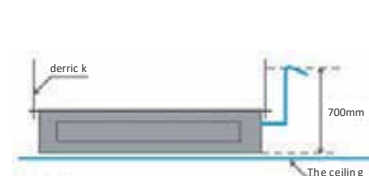
2 Ways Draining Connection

There two outlet in left and right, both left and right side of unit are possible for drainage hose connection, easy for installation.



Built-in Water Pump

The built-in pump can lift condensing water up to 700mm high from the drainage pan.



opticlina

Slim Duct 2.8kw

ARVSD-H028/4R1A

AUX
AIR CONDITIONER



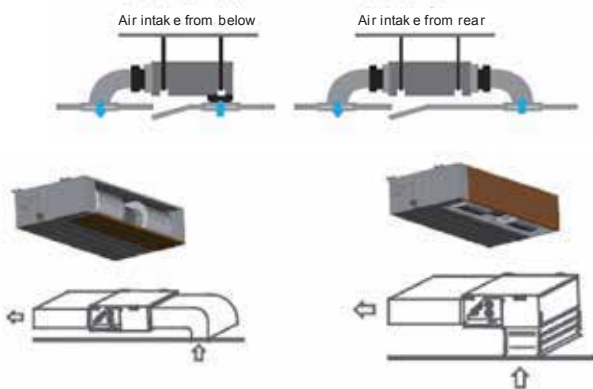
R410A
refrigerant

SPECIFICATIONS

Model	Indoor	ARVSD-H028/4R1A	
Capacity	Cooling	kW	2.8
	Heating	kW	3.0
Electric Data	Power Supply	V~,Hz,Ph	220~240,50,1
	Rated Power	W	59
Performance	Air Flow Volume(Hi/Mid/Low)	m ³ /h	480/390/320
	Noise Level(Hi/Mid/Low)	dB(A)	30/26/23
	External Static Pressure(ESP)	Pa	10/30
Dimension (WxDxH)	Net	mm	840×460×185
	Packing	mm	1030×545×250
Weight	Net/Gross	kg	15.5/19
	Liquid Side	mm(inch)	6.35(1/4)
Pipe Diameter	Gas Side	mm(inch)	9.52(3/8)
	Drainage	mm(inch)	DN20(R3/4)

Flexible Air Intake Options

Air intake from rear as standard, from bottom is optional. The size of the plate from bottom is the same as the flange from back, which makes it convenient to change installation style due to different decoration requirements.



Ultra Slim Design

The thickness is only 185mm, save installation space.



ARV Indoor Units

AC FAN MOTOR

FEATURES

■ optional ■ standard



Remote Control



Built-in Drain Pump



Auto Restart Function



Fresh Air Intake



Low Ambient Cooling



Fire-proof Electric Box



Hydrophilic Aluminum Fin



Washable Filter



Fast Cooling/Heating



Digital Tube Display



Wired Control



Central Control



Full Process By DC Drive



0.5W Standby

2 Ways Draining Connection

There two outlet in left and right, both left and right side of unit are possible for drainage hose connection, easy for installation.



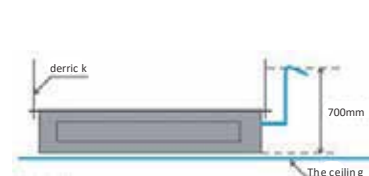
The left outlet



The right outlet

Built-in Water Pump

The built-in pump can lift condensing water up to 700mm high from the drainage pan.



opticlina

Slim Duct 3.6kw

ARVSD-H036/4R1A

AUX
AIR CONDITIONER



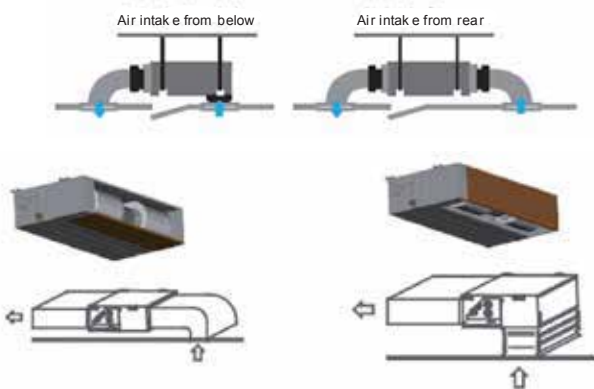
R410A
refrigerant

SPECIFICATIONS

Model	Indoor	ARVSD-H036/4R1A	
Capacity	Cooling	kW	3.6
	Heating	kW	4.3
Electric Data	Power Supply	V~,Hz,Ph	220~240,50,1
	Rated Power	W	65
Performance	Air Flow Volume(Hi/Mid/Low)	m ³ /h	560/430/390
	Noise Level(Hi/Mid/Low)	dB(A)	32/28/25
	External Static Pressure(ESP)	Pa	10/30
Dimension (WxDxH)	Net	mm	840×460×185
	Packing	mm	1030×545×250
Weight	Net/Gross	kg	16.5/20
	Liquid Side	mm(inch)	6.35(1/4)
Pipe Diameter	Gas Side	mm(inch)	12.7(1/2)
	Drainage	mm(inch)	DN20(R3/4)

Flexible Air Intake Options

Air intake from rear as standard, from bottom is optional. The size of the plate from bottom is the same as the flange from back, which makes it convenient to change installation style due to different decoration requirements.



Ultra Slim Design

The thickness is only 185mm, save installation space.



ARV Indoor Units

AC FAN MOTOR

FEATURES

■ optional ■ standard



Remote Control



Built-in Drain Pump



Auto Restart Function



Fresh Air Intake



Low Ambient Cooling



Fire-proof Electric Box



Hydrophilic Aluminum Fin



Washable Filter



Fast Cooling/Heating



Digital Tube Display



Wired Control



Central Control



Full Process By DC Drive



0.5W Standby

2 Ways Draining Connection

There two outlet in left and right, both left and right side of unit are possible for drainage hose connection, easy for installation.



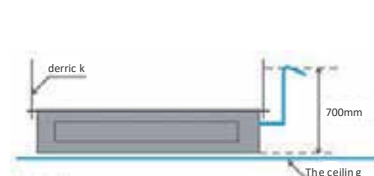
The left outlet



The right outlet

Built-in Water Pump

The built-in pump can lift condensing water up to 700mm high from the drainage pan.



opticlina

Slim Duct 4.5kw

ARVSD-H045/4R1A

AUX
AIR CONDITIONER



R410A
refrigerant

ARV Indoor Units

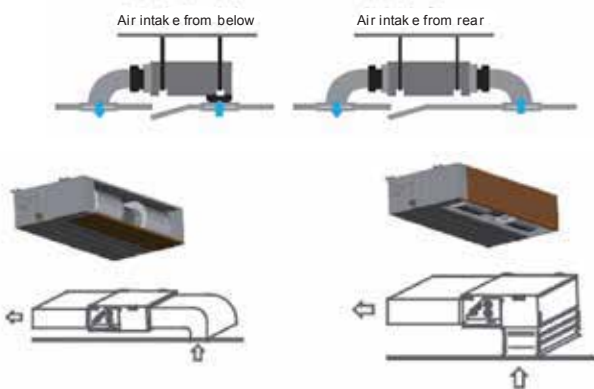
AC FAN MOTOR

SPECIFICATIONS

Model	Indoor	ARVSD-H045/4R1A	
Capacity	Cooling	kW	4.5
	Heating	kW	5.0
Electric Data	Power Supply	V~,Hz,Ph	220~240,50,1
	Rated Power	W	91
Performance	Air Flow Volume(Hi/Mid/Low)	m ³ /h	850/680/575
	Noise Level(Hi/Mid/Low)	dB(A)	38/35/32
	External Static Pressure(ESP)	Pa	10/30
Dimension (WxDxH)	Net	mm	1160×460×185
	Packing	mm	1350×545×250
Weight	Net/Gross	kg	20/24
	Liquid Side	mm(inch)	6.35(1/4)
Pipe Diameter	Gas Side	mm(inch)	12.7(1/2)
	Drainage	mm(inch)	DN20(R3/4)

Flexible Air Intake Options

Air intake from rear as standard, from bottom is optional. The size of the plate from bottom is the same as the flange from back, which makes it convenient to change installation style due to different decoration requirements.



Ultra Slim Design

The thickness is only 185mm, save installation space.



FEATURES

■ optional ■ standard



Remote Control



Built-in Drain Pump



Auto Restart Function



Fresh Air Intake



Low Ambient Cooling



Fire-proof Electric Box



Hydrophilic Aluminum Fin



Washable Filter



Fast Cooling/Heating



Digital Tube Display



Wired Control



Central Control



Full Process By DC Drive



0.5W Standby

2 Ways Draining Connection

There two outlet in left and right, both left and right side of unit are possible for drainage hose connection, easy for installation.



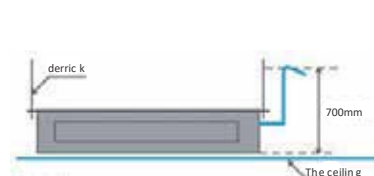
The left outlet



The right outlet

Built-in Water Pump

The built-in pump can lift condensing water up to 700mm high from the drainage pan.



opticlina

Slim Duct 5.6kw

ARVSD-H056/4R1A

AUX
AIR CONDITIONER



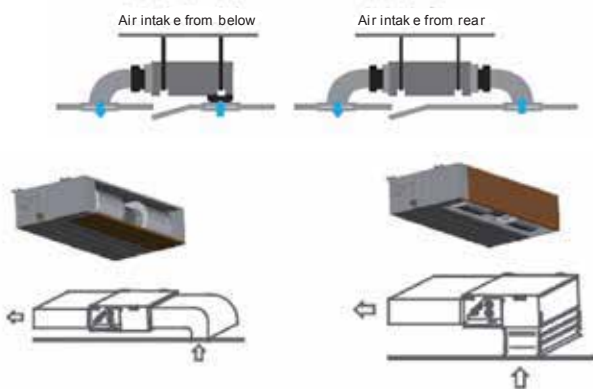
R410A
refrigerant

SPECIFICATIONS

Model	Indoor	ARVSD-H056/4R1A	
Capacity	Cooling	kW	5.6
	Heating	kW	6.0
Electric Data	Power Supply	V~,Hz,Ph	220~240,50,1
	Rated Power	W	91
Performance	Air Flow Volume(Hi/Mid/Low)	m ³ /h	850/680/575
	Noise Level(Hi/Mid/Low)	dB(A)	38/35/32
	External Static Pressure(ESP)	Pa	10/30
Dimension (WxDxH)	Net	mm	1160×460×185
	Packing	mm	1350×545×250
Weight	Net/Gross	kg	20/24
	Liquid Side	mm(inch)	6.35(1/4)
Pipe Diameter	Gas Side	mm(inch)	12.7(1/2)
	Drainage	mm(inch)	DN20(R3/4)

Flexible Air Intake Options

Air intake from rear as standard, from bottom is optional. The size of the plate from bottom is the same as the flange from back, which makes it convenient to change installation style due to different decoration requirements.



Ultra Slim Design

The thickness is only 185mm, save installation space.



ARV Indoor Units

AC FAN MOTOR

FEATURES

■ optional ■ standard



Remote Control



Built-in Drain Pump



Auto Restart Function



Fresh Air Intake



Low Ambient Cooling



Fire-proof Electric Box



Hydrophilic Aluminum Fin



Washable Filter



Fast Cooling/Heating



Digital Tube Display



Wired Control



Central Control



Full Process By DC Drive



0.5W Standby

2 Ways Draining Connection

There two outlet in left and right, both left and right side of unit are possible for drainage hose connection, easy for installation.



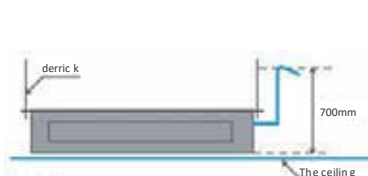
The left outlet



The right outlet

Built-in Water Pump

The built-in pump can lift condensing water up to 700mm high from the drainage pan.



opticlina

Slim Duct 7.1kw

ARVSD-H071/4R1A

AUX
AIR CONDITIONER



R410A
refrigerant

ARV Indoor Units

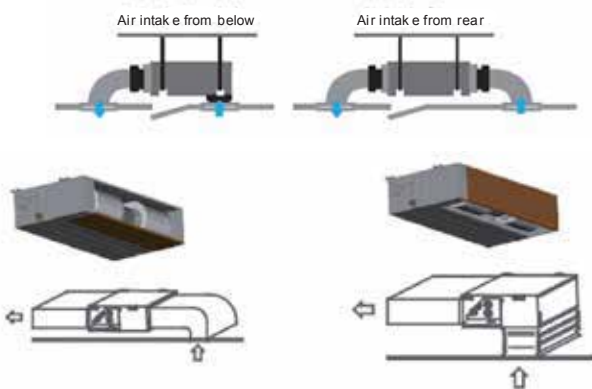
AC FAN MOTOR

SPECIFICATIONS

Model	Indoor	ARVSD-H071/4R1A	
Capacity	Cooling	kW	7.1
	Heating	kW	8.0
Electric Data	Power Supply	V~,Hz,Ph	220~240,50,1
	Rated Power	W	113
Performance	Air Flow Volume(Hi/Mid/Low)	m ³ /h	1000/810/685
	Noise Level(Hi/Mid/Low)	dB(A)	39/36/32
	External Static Pressure(ESP)	Pa	10/30
Dimension (WxDxH)	Net	mm	1160×460×185
	Packing	mm	1350×545×250
Weight	Net/Gross	kg	22/26
	Liquid Side	mm(inch)	9.52(3/8)
Pipe Diameter	Gas Side	mm(inch)	15.88(5/8)
	Drainage	mm(inch)	DN20(R3/4)

Flexible Air Intake Options

Air intake from rear as standard, from bottom is optional. The size of the plate from bottom is the same as the flange from back, which makes it convenient to change installation style due to different decoration requirements.



Ultra Slim Design

The thickness is only 185mm, save installation space.



FEATURES

■ optional ■ standard

- Remote Control
- Built-in Drain Pump
- Auto Restart Function
- Fresh Air Intake
- Low Ambient Cooling
- Fire-proof Electric Box
- Hydrophilic Aluminum Fin
- Washable Filter
- Fast Cooling/Heating
- Digital Tube Display
- Wired Control
- Central Control
- Full Process By DC Drive
- 0.5W Standby

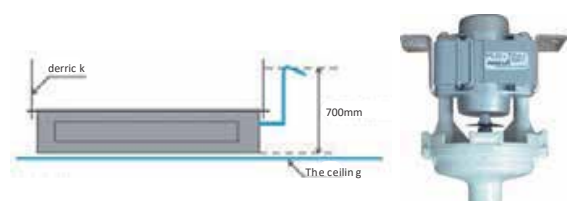
2 Ways Draining Connection

There two outlet in left and right, both left and right side of unit are possible for drainage hose connection, easy for installation.



Built-in Water Pump

The built-in pump can lift condensing water up to 700mm high from the drainage pan.



opticlina