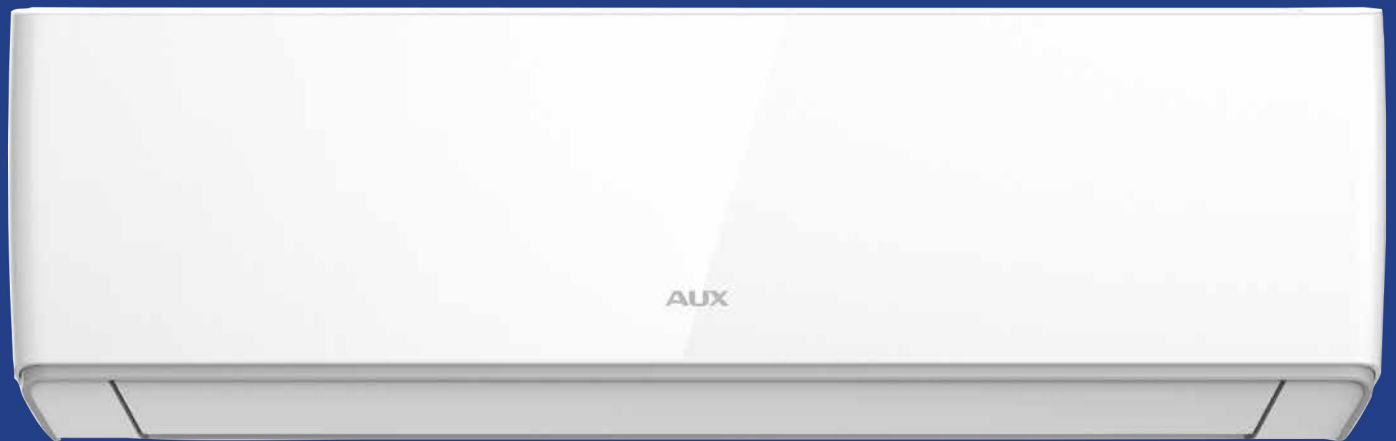


# Halo



**AUX**  
AIR CONDITIONER



# Halo

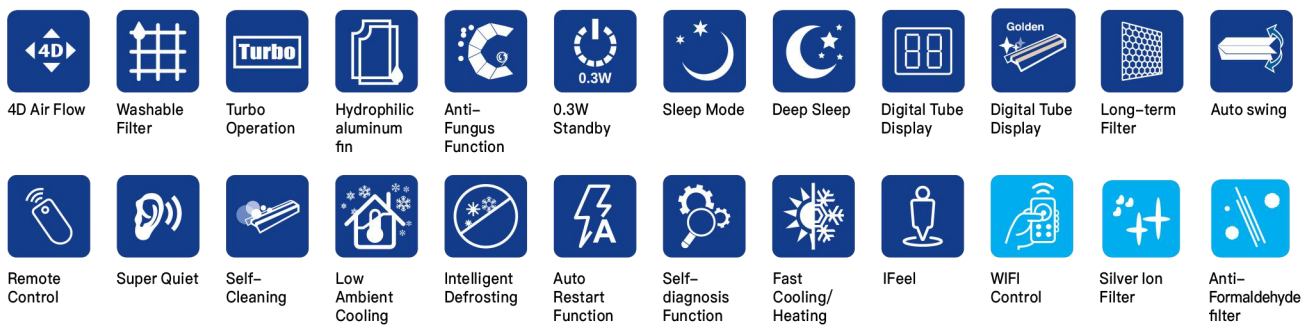


The Halo series stands out for its unique characterised housing structure. Thanks to its modern contoured body, the unit creates the impression of it slightly floating on the wall. Its streamlined features create an elegant and luxurious character. A White minimalist front panel with subtle curves will perfectly suit the decor of any interior.



## Features

■ standard ■ optional



# Halo

Type T  
Remote  
Control



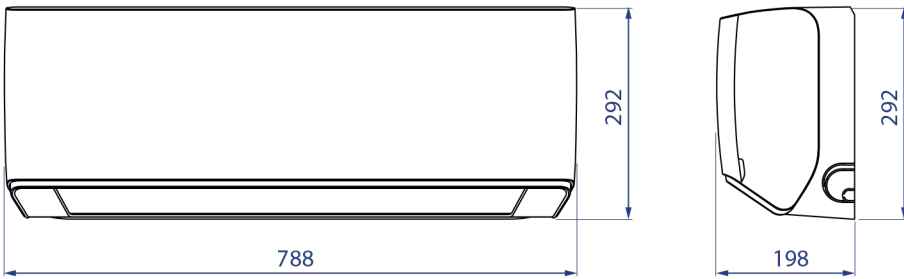
Wi-Fi 2.0  
Optional

## Specifications

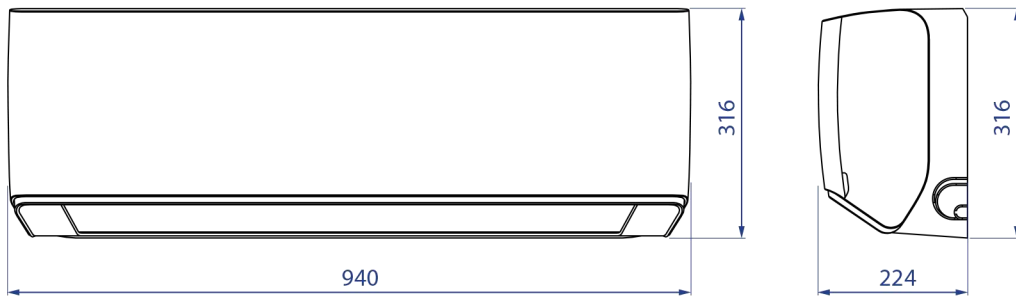
	ASW-H09A4 /HAL1D1	ASW-H12A4 /HAL1D1	ASW-H18A4 /HAL1D1	ASW-H24A4 /HAL1D1
Rated Voltage	220v-240v	220v-240v	220v-240v	220v-240v
Pdesign-cooling (kW)	2.6	3.2	5.3	6.7
Pdesign-heating (kW)-warmer	2.6	3.4	5.5	7
Cooling Capacity (BTU/H)	9212	12283	18424	24566
Cooling Capacity (kW)	2.7 (0.5~3.1)	3.6 (0.8~3.6)	5.4 (1.2~5.6)	7.2 (1.4~7.5)
Heating Capacity (BTU/H)	10236	12624	19789	24566
Heating Capacity (kW)	3.0 (0.5~3.3)	3.7 (1.0~3.8)	5.8 (1.2~6.0)	7.2 (0.9~7.3)
Cooling Current (A)	3.6 (0.6~6.3)	4.8 (0.6~7.0)	7.3 (0.90~7.70)	10.2 (1.60~12.80)
Heating Current (A)	3.4 (0.8~6.2)	4.3 (0.9~6.5)	7.1 (1.40~8.80)	8.8 (1.90~11.50)
Cooling Input (kW)	0.8 (0.1~1.5)	1.09 (0.1~1.6)	1.65 (0.21~1.73)	2.2 (0.37~2.90)
Heating Input (kW)	0.75 (0.1~1.5)	0.97 (0.2~1.6)	1.49 (0.31~2.00)	1.96 (0.44~2.60)
SEER Cooling	6.16	6.12	6.57	6.89
SEER energy class	A++	A++	A++	A++
SCOP Heating-warmer	5.31	4.95	5.4	5.25
SCOP energy class-warmer	A+++	A+++	A+++	A+++
Max. Input Current (A)	8	9.5	12	16
Max. Input Power (kW)	1.6	1.9	2.9	3.6
Refrigerant Quantity (kg)	0.53	0.6	1.28	1.44
Air Flow Volume (m3/h)-indoor-multi speed (Turbo-Hi-Mid-Low-Si)	600/540/480/430/390	600/540/480/430/390	900/810/730/650/580	1150/1030/930/840/750
Air Flow Volume (m3/h)-outdoor	1800	1800	2700	3200
Indoor Unit Noise (Sound Pressure) (dB)- multi speed (Turbo-Hi-Mid-Low-Si)	42/38/34/29/20	42/39/35/31/22	46/42/39/35/24	47/43/40/36/26
Indoor/Outdoor Unit Noise(Sound Pressure) (dB)-highest speed	42/47	42/49	46/53	47/54
Indoor/Outdoor Unit Noise(Sound Power) (dB)	56/61	54/60	58/64	58/65
Indoor Unit Net Weight (kg)	8	8.5	12	15
Outdoor Unit Net Weight (kg)	25	25	35	45
Dimension(indoor)-net	788*292*198	788*292*198	936*316*221	1121*329*231
Dimension(outdoor)-net	720*540*260	720*540*260	802*535*298	900*343*681
Compressor brand	GMCC	GMCC	GMCC	HIGHLY
Liquid Side	6.35(1/4)	6.35(1/4)	6.35(1/4)	6.35(1/4)
Gas Side	9.52(3/8)	9.52(3/8)	12.7(1/2)	15.88(5/8)
Max pipe length (m)	20	20	25	25
Max installation fall (m)-*both indoor higher or outdoor higher*	10	10	15	15
Additional added gas charge per meter added copper pipe (g)	15	15	25	25
Max pipe length (m) for pre-charge gas	7	7	7	7
Ambient Temp-cooling	16~49°C	16~49°C	16~49°C	16~49°C
Ambient Temp-heating	-15~30°C	-15~30°C	-15~30°C	-15~30°C



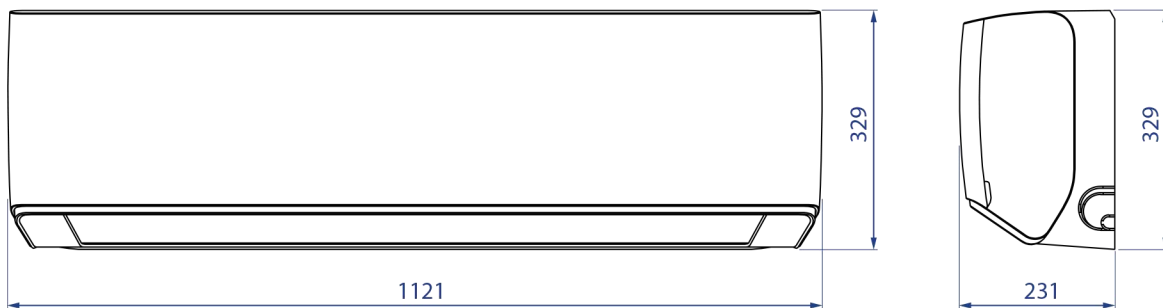
### 9K, 12 AUX-(09/12)HA



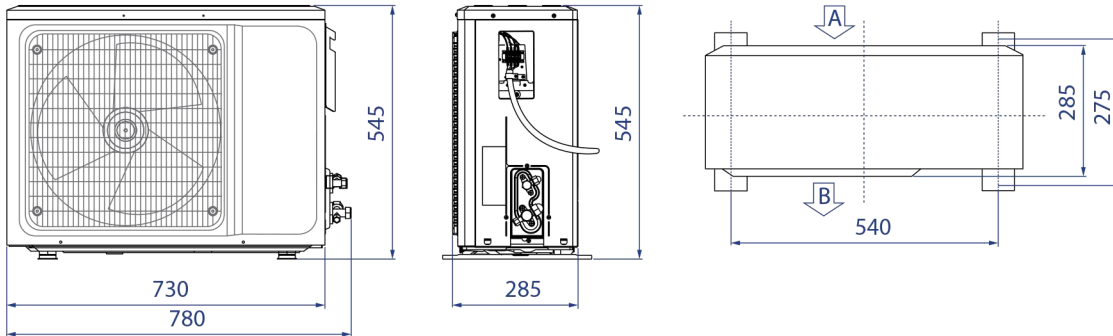
### 18K AUX-18HA



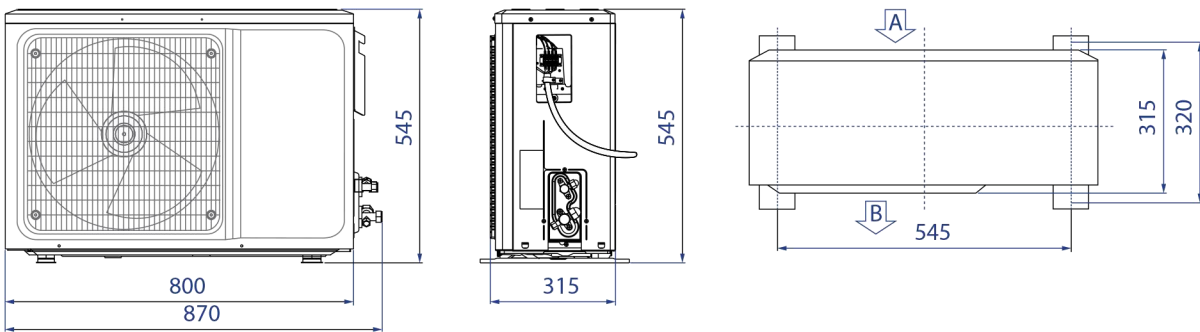
### 24K AUX-24HA



### 9K, 12 AUX-(09/12)HA/O



### 18K AUX-18HA/O



### 24K AUX-24HA/O

