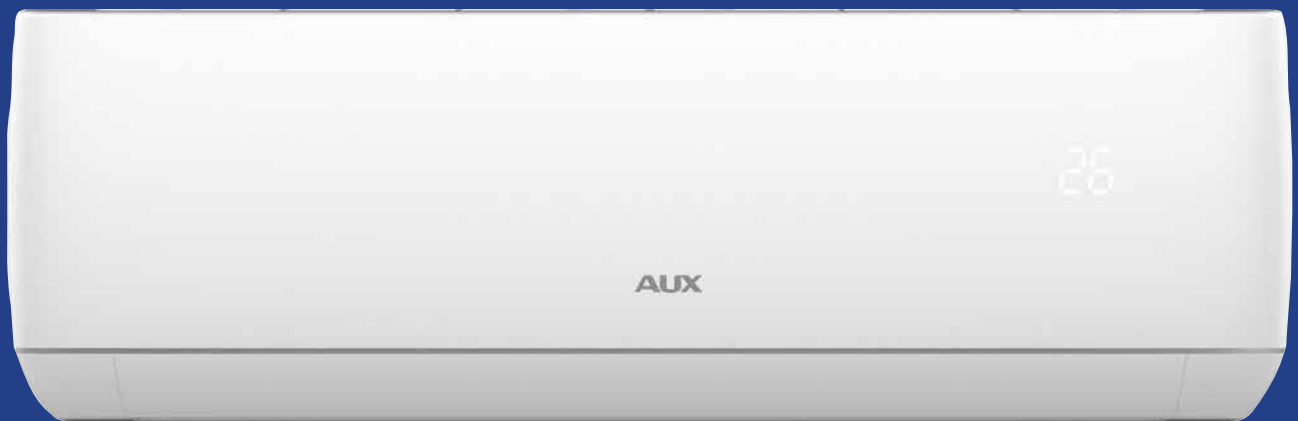


J-Smart



AUX
AIR CONDITIONER



J-Smart

R32	A++ COOLING	A+++ HEATING	DC INVERTER	5 YEARS WARRANTY
-----	-----------------------	------------------------	-----------------------	----------------------------

The J-Smart series is characterized by a minimalist, discreet styling. Snow-white, simple in form housing with subtle curves and made of easy-to-handle keep clean and resistant to mechanical damage ABS plastics. Its perfectly matched housing components and its smooth surface with matte finish give



the unit a uniform, high aesthetics appearance. The Design of the J-Smart series was awarded the IF Design Award 2019.



Features

■ standard ■ optional

4D Air Flow	Washable Filter	Turbo Operation	Hydrophilic aluminum fin	Anti-Fungus Function	0.3W Standby	Sleep Mode	Deep Sleep	Digital Tube Display	Golden Digital Tube Display	Long-term Filter	Auto swing
Remote Control	Super Quiet	Self-Cleaning	Low Ambient Cooling	Intelligent Defrosting	Auto Restart Function	Self-diagnosis Function	Fast Cooling/Heating	IFeel	WIFI Control	Silver Ion Filter	Anti-Formaldehyde filter

Project Tender



J-Smart



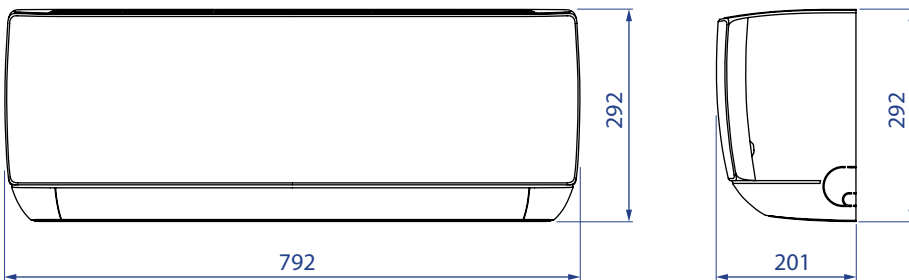
Specifications

	ASW-H09A4/JAR1DI	ASW-H12A4/JAR1DI	ASW-H18A4/JAR1DI	ASW-H24A4/JAR1DI
Rated Voltage	220v-240v	220v-240v	220v-240v	220v-240v
Pdesign-cooling (kW)	2.6	3.2	5.3	6.7
Pdesign-heating (kW)-warmer	2.6	3.4	4.4	7
Cooling Capacity (BTU/H)	9212	12283	18083.6	24566
Cooling Capacity (kW)	2.7 (0.5~3.1)	3.6 (0.8~3.6)	5.3 (1.2~6.1)	7.2 (1.4~7.5)
Heating Capacity (BTU/H)	10236	12624	19107.2	24566
Heating Capacity (kW)	3.0 (0.5~3.3)	3.7 (1.0~3.8)	5.6 (1.2~6.6)	7.2 (0.9~7.3)
Cooling Current (A)	3.6 (0.6~6.3)	4.8 (0.6~7.0)	7.5 (0.90~7.70)	10.2 (1.60~12.80)
Heating Current (A)	3.4 (0.8~6.2)	4.3 (0.9~6.5)	7.5 (1.40~8.80)	8.8 (1.90~11.50)
Cooling Input (kW)	0.8 (0.1~1.5)	1.09 (0.1~1.6)	1.73 (0.09~2.2)	2.2 (0.37~2.90)
Heating Input (kW)	0.75 (0.1~1.5)	0.97 (0.2~1.6)	1.73 (0.2~2.2)	1.96 (0.44~2.60)
SEER Cooling	6.16	6.12	6.48	6.89
SEER energy class	A++	A++	A++	A++
SCOP Heating-warmer	5.31	4.95	5.21	5.25
SCOP energy class-warmer	A+++	A+++	A+++	A+++
Max. Input Current (A)	8	9.5	12	16
Max. Input Power (kW)	1.6	1.9	2.4	3.6
Refrigerant Quantity (kg)	0.53	0.6	1.28	1.44
Air Flow Volume (m3/h)-indoor-multi speed (Turbo-Hi-Mid-Low-Si)	600/540/480/430/390	600/540/480/430/390	850/810/730/650/580	1150/1030/930/840/750
Air Flow Volume (m3/h)-outdoor	1800	1800	2700	3200
Indoor Unit Noise (Sound Pressure) (dB)-multi speed (Turbo-Hi-Mid-Low-Si)	42/38/34/29/20	42/39/35/31/22	46/42/39/35/24	47/43/40/36/26
Indoor/Outdoor Unit Noise(Sound Pressure) (dB)-highest speed	42/47	42/49	46/53	47/54
Indoor/Outdoor Unit Noise(Sound Power) (dB)	56/61	54/60	56/62	58/65
Indoor Unit Net Weight (kg)	8	8.5	11.5	15
Outdoor Unit Net Weight (kg)	25	25	34	45
Dimension(indoor)-net	792*292*201	792*292*201	940*316*224	1132*330*232
Dimension(outdoor)-net	720*540*260	720*540*260	800*545*315	900*343*681
Compressor brand	GMCC	GMCC	GMCC	HIGHLY
Liquid Side	6.35(1/4)	6.35(1/4)	6.35(1/4)	6.35(1/4)
Gas Side	9.52(3/8)	9.52(3/8)	12.7(1/2)	15.88(5/8)
Max pipe length (m)	20	20	25	25
Max installation fall (m)-*both indoor higher or outdoor higher*	10	10	15	15
Additional added gas charge per meter added copper pipe (g)	15	15	25	25
Max pipe length (m) for pre-charge gas	7	7	7	7
Ambient Temp-cooling	16~49°C	16~49°C	16~49°C	16~49°C
Ambient Temp-heating	-15~30°C	-15~30°C	-15~30°C	-15~30°C

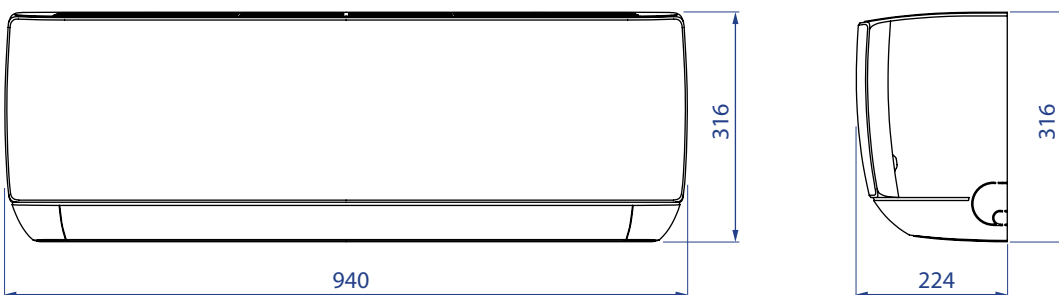
Project Tender



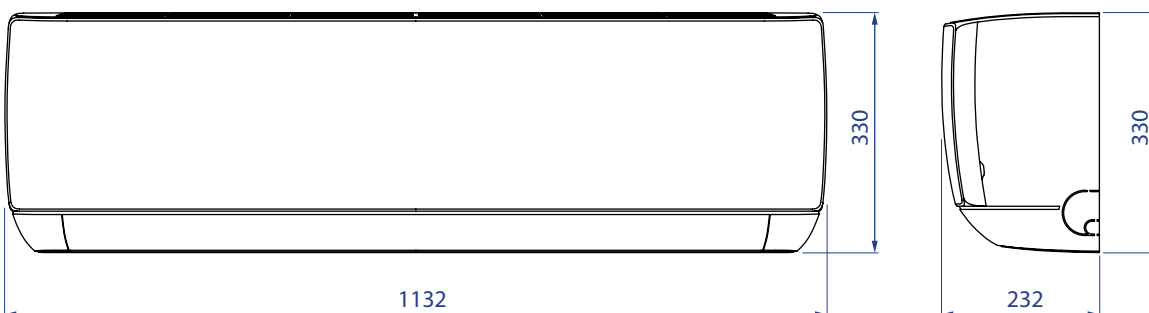
9K, 12 AUX-(09/12)JO



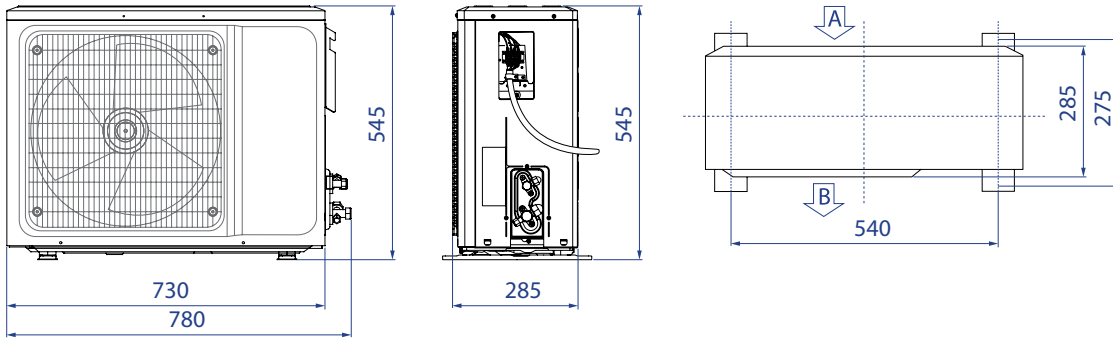
18K AUX-18JO



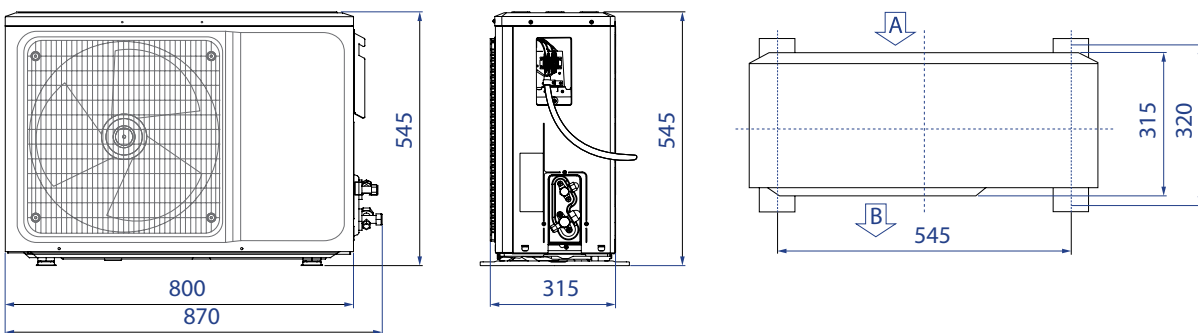
24K AUX-24JO



9K, 12 AUX-(09/12)JO



18K AUX-18JO



24K AUX-24JO

