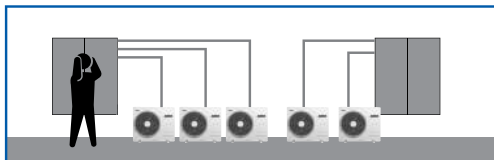


Outdoor Unit

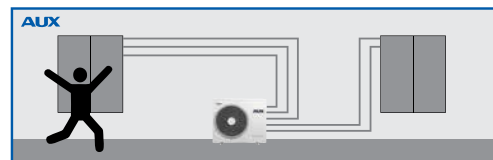


AUX
AIR CONDITIONER

Outdoor Unit



5 outdoor units



1 outdoor unit

Space-Saving Installation

Up to 5 indoor units can be connected to a single outdoor unit, which reduces the number of outdoor units required so as to save installation space. Other benefits of multi systems include: ability to control each unit individually, and separate units can be installed at different times.



Outdoor Unit



1 drive 2 Suggested Combination Table AM2-H14/4DR3

1 UNIT	2 UNIT	
9	7+7	9+12
12	7+9	-
18	7+12	-
-	9+9	-

1 drive 3 Suggested Combination Table AM3-H21/4DR3

1 UNIT	2 UNIT		3 UNIT	
18	7+7	9+12	7+7+7	-
24	7+9	9+18	7+7+9	-
-	7+12	12+12	7+7+12	-
-	7+18	-	7+9+9	-
-	9+9	-	9+9+9	-

1 UNIT	2 UNIT		3 UNIT	
18	7+7	9+12	7+7+7	7+9+18
24	7+9	9+18	7+7+9	7+12+12
-	7+12	9+24	7+7+12	9+9+9
-	7+18	12+12	7+7+18	9+9+12
-	7+24	12+18	7+9+9	9+12+12
-	9+9	-	7+9+12	-

1 drive 4 Suggested Combination Table AM4-H36/4DR3

1 UNIT	2 UNIT		3 UNIT			4 UNIT			
18	7+12	12+12	7+7+7	7+9+18	9+9+12	12+12+12	7+7+7+7	7+7+9+18	7+9+12+18
24	7+18	12+18	7+7+9	7+9+24	9+9+18	12+12+18	7+7+7+9	7+7+12+12	7+12+12+12
-	7+24	12+24	7+7+12	7+12+12	9+9+24	-	7+7+7+12	7+7+12+18	9+9+9+9
-	9+9	18+18	7+7+18	7+12+18	9+12+12	-	7+7+7+18	7+9+9+9	9+9+9+12
-	9+12	18+24	7+7+24	7+12+24	9+12+18	-	7+7+7+24	7+9+9+12	9+9+9+18
-	9+18	-	7+9+9	7+18+18	9+12+24	-	7+7+9+9	7+9+9+18	9+9+12+12
-	9+24	-	7+9+12	9+9+9	9+18+18	-	7+7+9+12	7+9+12+12	9+12+12+12

1 drive 5 Suggested Combination Table AM5-H42/4DR3

1 UNIT	2 UNIT		3 UNIT			4 UNIT				5 UNIT				
18	7+18	18+18	7+7+7	7+9+24	9+9+18	12+12+18	7+7+7+7	7+7+12+12	7+9+12+24	12+12+12+12	7+7+7+7+7	7+7+7+24	7+7+12+12+12	9+9+9+9+18
24	7+24	18+24	7+7+9	7+12+12	9+9+24	12+12+24	7+7+7+9	7+7+12+18	7+12+12+12	12+12+12+18	7+7+7+7+9	7+7+7+12+12	7+9+9+9+9	9+9+9+12+12
-	9+12	24+24	7+7+12	7+12+18	9+12+12	12+18+18	7+7+7+12	7+7+12+24	9+9+9+9	-	7+7+7+7+12	7+7+7+12+18	7+9+9+9+12	9+9+12+12+12
-	9+18	-	7+7+18	7+12+24	9+12+18	12+18+24	7+7+7+18	7+9+9+9	9+9+9+12	-	7+7+7+7+18	7+7+9+9+9	7+9+9+9+18	-
-	9+24	-	7+7+24	7+18+18	9+12+24	18+18+18	7+7+7+24	7+9+9+12	9+9+9+18	-	7+7+7+7+24	7+7+9+9+12	7+9+9+12+12	-
-	12+12	-	7+9+9	7+18+24	9+18+18	-	7+7+9+9	7+9+9+18	9+9+12+12	-	7+7+7+9+9	7+7+9+9+18	7+9+12+12+12	-
-	12+18	-	7+9+12	9+9+9	9+18+24	-	7+7+9+12	7+9+12+12	9+12+12+12	-	7+7+7+9+12	7+7+9+12+12	9+9+9+9+9	-
-	12+24	-	7+9+18	9+9+12	12+12+12	-	7+7+9+18	7+9+12+18	9+12+12+18	-	7+7+7+9+18	7+7+9+12+18	9+9+9+9+12	-



Outdoor Unit

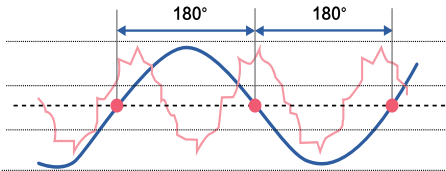
High Efficiency



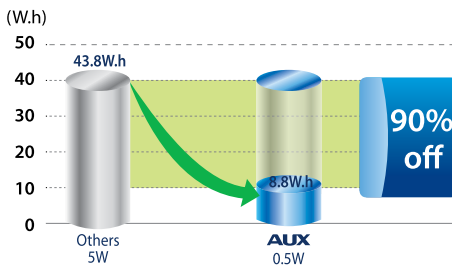
AUX Light Commercial units are characterised by its high efficiency leading to reduced energy consumption. It's SEER is higher than 6.1, and SCOP higher than 4.0, meeting the new ERP A++/A+ level.



DC Twin Rotor Inverter compressor and three speed fan motor can adjust running frequency according to the capacity demand, achieving high energy efficiency and fast cooling and heating.



AUX has the most advanced 180° sine wave DC Inverter compressor drive and active PFC technology providing lower noise levels and more economical operation.



Intelligent technology enables AUX products to reduce energy consumption from the normal 5W to 0.5W per hour whilst on standby, which counts for 90% of energy savings.

Environmental - friendly Refrigerant R32

The GWP value of R32 is smaller, so the effect on the greenhouse effect is smaller. The ODP value of R32 is 0, so it's no harm to our planet's ozone layer.



Auto Restart Function

The operation state with all your preferred settings is restored following a power failure.



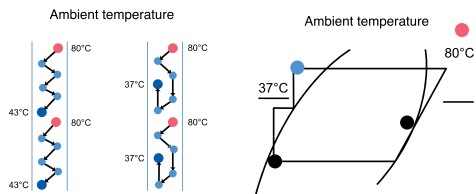
Multi Protection to ensure the Reliable operation of the compressor and system.

- High pressure protection
- Low pressure protection
- Compressor overloading protection
- Discharge temperature protection
- Suction temperature protection
- Anti-freezing protection
- Over voltage / low voltage protection
- Over-current Protection



Wide Operation Range

Whether the temperature reaches as high as 52°C in the hot summer or down to -15°C in the cold winter, AUX Commercial airconditioners function perfectly, making it feel like spring all year round!



Optimized Pipeline Design

This design feature ensures the sub-cooling enhances the cooling capacity by separating the refrigerant inlet and outlet.



Outdoor Unit

Specifications

	AM2-H14/4DR3	AM2-H18/4DR3	AM2-H21/4DR3	AM3-H27/4DR3	AM4-H36/4DR3	AM5-H42/4DR3
System Format	1 drive 2	1 drive 2	1 drive 3	1 drive 3	1 drive 4	1 drive 5
Cooling Capacity (BTU/h)	13989(6142-15388)	18084(6824-19892)	21154(7506~22895)	26955(7848~29650)	35826(8530~37532)	40944(9451~43332)
Cooling Capacity (Kw)	4.1(1.8-4.51)	5.3(2.0-5.83)	6.2(2.2~6.71)	7.9(2.3~8.69)	10.50(2.5~11.0)	12(2.77~12.7)
Heating Capacity (BTU/h)	16378(6995-18015)	19107(7541-21017)	22519(8155~24771)	27978(8359~30776)	37532(9110~38214)	44356(10100~44800)
Heating Capacity (Kw)	4.8(2.05-5.28)	5.6(2.21-6.16)	6.6(2.39~7.26)	8.2(2.45~9.02)	11.00(2.67~11.2)	13(2.96~13.1)
Power Supply V~,Hz,Ph	220~240,50,1	220~240,50,1	220~240,50,1	220~240,50,1	220~240,50,1	220~240,50,1
Cooling Power Input (W)	1240(198-2100)	1750(280-2300)	1920(350-2800)	2460(560-3400)	3950(680~4930)	4450(750~5450)
Heating Power Input (W)	1150(198-2100)	1540(280-2300)	1780(350-2800)	2270(560-3400)	3150(530~3850)	3750(600~4350)
Rated Current (cooling&heating) (A)	5.4/5	7.6/6.7	8.3/7.8	10.7/9.8	17.5/13.96	19.72/16.62
Max current (A)	10	11	13	16	23.5	24.5
Max power (Kw)	2.1	2.3	2.8	3.4	5.3	5.6
SEER/SCOP (W/W)	6.16/4.06(J)	7.07/4.07(J)	6.57/4.39(J)	6.30/4.04(J)	6.15/4.12(J)	6.14/4.14(J)
Energy Rate	A++/A+	A++/A+	A++/A+	A++/A+	A++/A+	A++/A+
DC Inv.Compressor - Quantity	1	1	1	1	1	1
DC Inv.Compressor - Type	Rotary	Rotary	Twin Rotary	Twin Rotary	Rotary	Rotary
DC Inv.Compressor - Brand	GMCC	GMCC	GMCC	GMCC	GMCC	GMCC
DC Inv.Compressor - Capacity	3470	4245	4690	7715	10010	10010
DC Inv.Compressor - Input	890	1075	1250	2085	2765	2765
DC Inv.Compressor - Rated Current	6.05	7.1	7.1	9.5	5.38	5.38
DC Inv.Compressor - Operating Frequency	60	60	60	60	60	60
Outdoor DC Inverter Fan Motor - Type	DC Inverter	DC Inverter	DC Inverter	DC Inverter	DC Inverter	DC Inverter
Outdoor DC Inverter Fan Motor - Brand	WELLING	WELLING	WOLONG	WOLONG	WOLONG	WOLONG



Outdoor Unit

Specifications

	AM2-H14/4DR3	AM2-H18/4DR3	AM2-H21/4DR3	AM3-H27/4DR3	AM4-H36/4DR3	AM5-H42/4DR3
Outdoor DC Inverter Fan Motor - Quantities	1	1	1	1	1	1
Outdoor DC Inverter Fan Motor - Input Power (W)	60	60	85	85	150	150
Outdoor DC Inverter Fan Motor - Output Power (W)	40	40	65	65	120	120
Outdoor DC Inverter Fan Motor - Speed (r/min)	850-350	850-350	870-350	870-350	940	940
Fan Quantity	1	1	1	1	1	1
Air Flow Volume (CFM)	1353	1353	1824	1824	2353	2471
Air Flow Volume (m3/h)	2300	2300	3100	3100	4000	4200
Sound Pressure Noise Level (dB(A))	54	55	56	58	61	61
Sound Power Noise Level (dB(A))	61	62	65	65	68	68
Net Dimension (W*D*H) (mm)	800×315×545	800×315×545	834×328×655	834×328×655	985×395×808	985×395×808
Net (kg)	34	36	44	46	74	75
Refrigerant - Type	R32	R32	R32	R32	R32	R32
Refrigerant - Charged Volume (kg)	0.92	0.95	1.1	1.05	2.3	2.3
Refrigerant - Additional charge	20	20	20	20	20	20
Piping - Liquid Side	2×6.35(1/4)	2×6.35(1/4)	3×6.35(1/4)	3×6.35(1/4)	4×6.35(1/4)	5×6.35(1/4)
Piping - Gas Side	2×9.52(3/8)	2×9.52(3/8)	3×9.52(3/8)	3×9.52(3/8)	4×9.52(3/8)	5×9.52(3/8)
Piping - Max. length for all rooms (m)	40	40	60	60	80	80
Piping - Max. length for one IU (m)	25	25	30	30	35	35
Piping - Max. height difference between IU and OU (m)	15	15	15	15	15	15
Piping - Max. height difference between IUs (m)	10	10	10	10	10	10
Ambient Temp (Cooling/Heating) (°C)	-15~-52°C/-15~24°C	-15~-52°C/-15~24°C	-15~-52°C/-15~24°C	-15~-52°C/-15~24°C	-15~-52°C/-15~24°C	-15~-52°C/-15~24°C

Project Tender



Outdoor Unit

Specifications

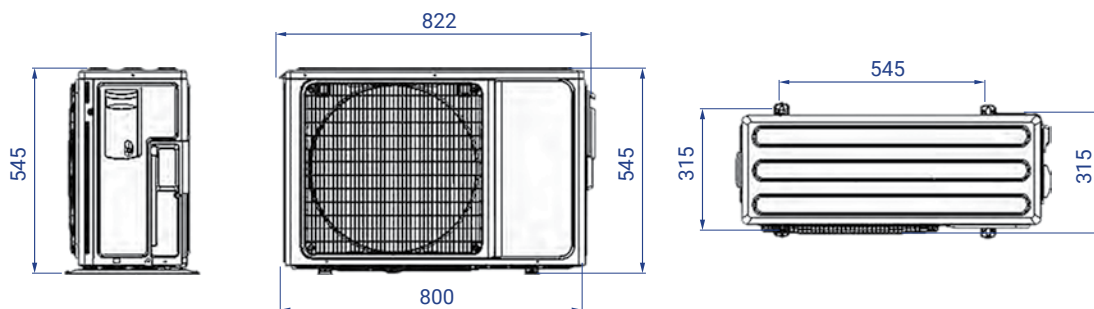
	AL-H36/NDR3A(U)	AL-H48/SDR3A(U)	AL-H60/SDR3A(U)
Power Supply V~, Hz, Ph	220-240/50/1	380-415/50/3	380-415/50/3
Max. Input Consumption (W)	5370	6800	6900
Max. Current (A)	23.5	27	27
Cooling Capacity (BTU/h)	36000 (9800-44300)	48000 (16241-56298)	55000 (16241-59710)
Cooling Capacity (Kw)	10.55 (2.9-13)	14.00 (4.76-16.50)	16.00 (4.76-17.5)
Heating Capacity (BTU/h)	38000 (8800-46000)	55000 (16309-55104)	58000 (16308-63122)
Heating Capacity (Kw)	11.15 (2.6-13.5)	16.00 (4.78-16.15)	17.00 (4.78-18.50)
Type - DC Inverter Compressor	ROTOR	ROTOR	ROTOR
Brand - DC Inverter Compressor	GMCC	GMCC	GMCC
Capacity - DC Inverter Compressor (W)	10010	13100	13100
Input - DC Inverter Compressor (W)	2765	3465	3465
Frequency range Hz	12-120	12-120	12-120
Brand	WOLONG	Panasonic	Panasonic
Output Power x Fan quantity (W)	120×1	100×2	100×2
Speed (r/min)	940	780	780
Air Flow Volume (CFM)	2353	4235	4235
Air Flow Volume (m3/h)	4000	7200	7200
Sound Pressure Noise Level dB(A)	57	60	60
Sound Power Noise Level dB(A)	66	70	70
Dimension(W×D×H) - Net (mm)	970×395×805	940×370×1325	940×370×1325
Weight - Net (kg)	72	92	92
Refrigerant Type	R32	R32	R32
Refrigerant Charged Volume (kg)	2.54	3.6	3.6
Design Pressure Mpa	4.2	4.2	4.2
Piping - Liquid Side (mm)	9.52(3/8)	9.52(3/8)	9.52(3/8)
Piping - Gas Side (mm)	15.88(5/8)	19.05(3/4)	19.05(3/4)
Water Piping - Drainage (mm)	R3/4in(DN20)	R3/4in(DN20)	R3/4in(DN20)
Piping - Max. Length (m)	65	65	65
Piping - Max. Height (m)	30	30	30
Operation Temperature Range °C	16~32	16~32	16~32
Ambient Temperature Range(Cooling/Heating) °C	-15~52/-15~24	-15~52/-15~24	-15~52/-15~24
Power Wiring (Indoor) mm2	3*1.5	3*1.5	3*1.5
Power Wiring (Outdoor) mm2	2*6+2.5	4*6+4	4*6+4
Signal Wiring mm2	2*0.2	2*0.2	2*0.2



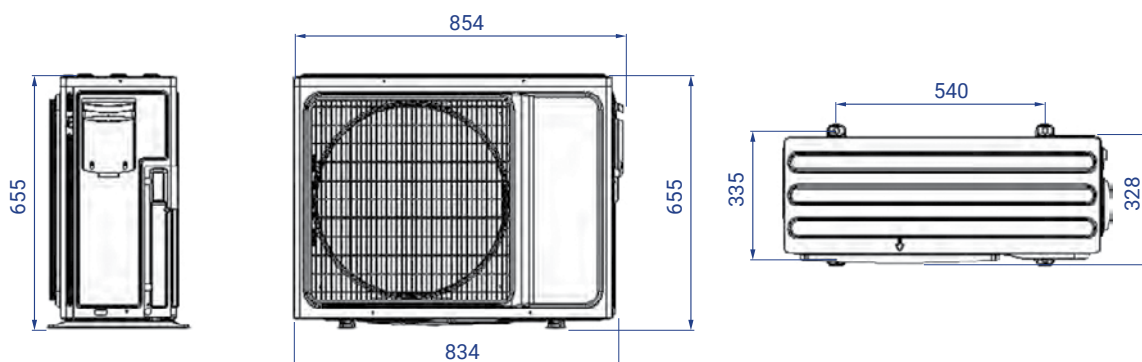
Outdoor Unit

Dimensions

14K, 18K AUX-M2-14LCLH, AUX-M2-18LCLH



21K, 27K AUX-M3-21LCLH, AUX-M3-27LCLH



36K, 42K AUX-M4-36LCLH, AUX-M5-42LCLH

